




PRODUCT FAMILY	DESCRIPTION
INDOOR RF PASSIVES	SEMI ISOLATED OUTLET : TSO-200F
<b>FEATURES</b>	
	<ul style="list-style-type: none"> <li>&gt;&gt; Frequency range 5-1006 MHz</li> <li>&gt;&gt; Class A screening effectiveness</li> <li>&gt;&gt; Outstanding RF performance</li> <li>&gt;&gt; R/TV and Data ports in F-female</li> <li>&gt;&gt; Low loss duplex filters</li> </ul>

## SPECIFICATIONS

INSERTION LOSS (dB, Max.) - IN to R/TV		
Frequency (MHz)	Typ.	
85 - 1006	4.3	4.8
INSERTION LOSS (dB, Max.) - DATA to IN		
5 - 65	0.8	1.3
INSERTION LOSS (dB, Max.) - IN to DATA		
85 - 1006	4.3	4.8
RETURN LOSS (dB, Min.) - IN Port		
5 - 65	18.0	
85 - 1006	18.0 <sup>(1)</sup>	
RETURN LOSS (dB, Min.) - DATA Port		
5 - 65	18.0	
85 - 1006	18.0 <sup>(1)</sup>	
RETURN LOSS (dB, Min.) - R/TV Port		
85 - 1006	18.0 <sup>(1)</sup>	
ISOLATION (dB, Min.) - R/TV to DATA		
5 - 65	45.0	
85 - 862	22.0	
862 - 1006	20.0	

Teleste reserves the rights to alter specifications, features, manufacturing released and even the general availability of the product at any time.

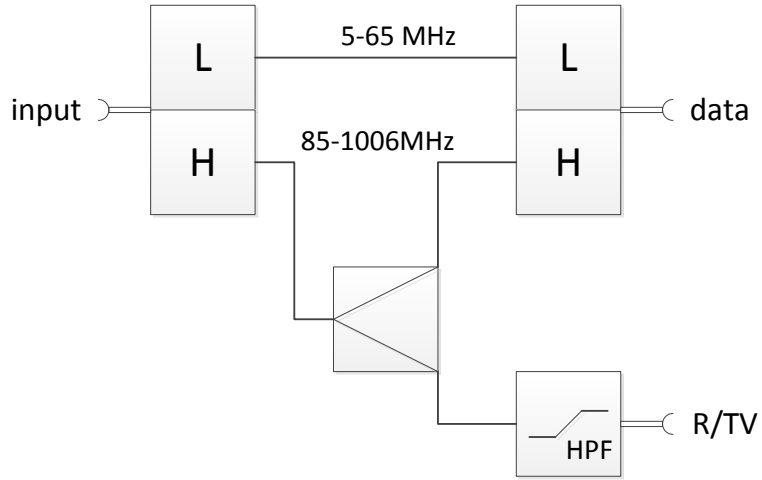
### GENERAL SPECIFICATIONS

Frequency range	5 – 1006 MHz	<p><b>This terminal outlet has been designed to fit with the typical frames and covers. Combining the high screening with the easy frontal cable connection results in reliable and swift installation. It features a R/TV port with downstream only and a DATA port with both up and downstream.</b></p>
Nominal impedance	75 Ohm	
Connectors		
Input R/TV output DATA input/output	Cable clamp F-female F female	
Dimensions	69 x 64,5 x 29 mm	
Weight	0,094 kg	
Electromagnetic compatibility <sup>(2)</sup> (dB, Min.)		
5 - 300	85.0	
300 - 470	80.0	
470 - 950	75.0	
950 - 1006	55.0	
Intermodulation <sup>(3)</sup> f1 + f2 (dBc, Min.)	110.0 <sup>(a)</sup> 110.0 <sup>(b)</sup> 110.0 <sup>(c)</sup>	
Safety Isolation	Inner conductor input to inner conductor output	
2120 VDC	≤ 0.7 mA, ≥ 1 minute <sup>(4)</sup>	
230 VAC RMS, 50/60 Hz	≤ 8.0 mA RMS <sup>(4)</sup>	
Surge immunity	1 kV, 1.2/50µS <sup>(5)</sup>	
Housing (material/plating)	Zinc die-cast / nickel plated Steel back lid / tin plated	
Connectors (material/plating)		
Pin of IEC male Spring of IEC female	Brass/Nickel <sup>(6)</sup> Phosphor/Bronze	
Product approval	CE	
EMC compatibility	EN 50083-2	

#### Notes

- (1) \* F > 40 MHz -1.5 dB/oct
- (2) Class A, according to IEC 60728-2 2010, EMC
- (3) Two carriers (60 & 65 MHz), applied to (each)output port, @120dBµV
  - (a) No surge
  - (b) Measured after 10 pulses 25V(1,2/500µS) applied to each port
  - (c) Measured after 1 pulse 1kV (1,2/50µS) applied to each port
- (4) According to IEC-60728-11 2007, Safety
- (5) Surge voltage according to IEC 61000-4-5, EMC (class 2, level 2) applied between the inner and outer conductor of each port
- (6) Dimensions in accordance with IEC 61169-2, Coaxial connectors of type 9,52

**BLOCK DIAGRAM**



**ORDERING INFORMATION**

<b>TSO-200F</b>	Semi Isolated Outlet (2120VDC/230VAC), 5-1006 MHz, 65/85 MHz split, R/TV and Data in F-female, terminated version
-----------------	---