

## WHX-829/929



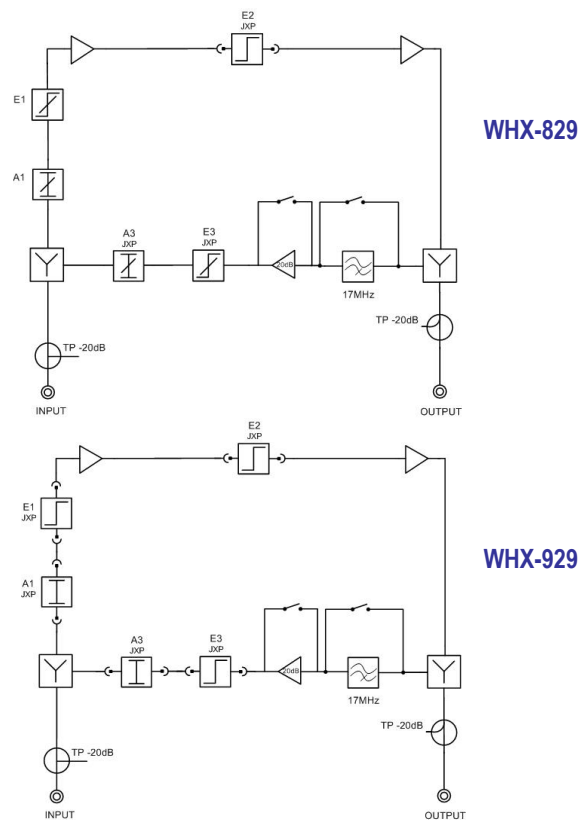
**WHX-829** and **WHX-929** amplifiers were designed for professional multimedia CATV networks where an intensive use of the return path transmission takes place.

Applied GaAs hybrid circuit guarantees high quality of signal parameters – high output level with very low inter-modulation distortions. GaAs technology enables reduction of power consumption which has an influence on reducing CATV network maintenance costs.

**WHX** amplifier is available in two versions: **WHX-829** with RF adjustment done by built-in potentiometers and **WHX-929** with RF adjustment done by JXP modules.

- Output stage amplifiers based on GaAs hybrid with Power Doubler configuration
- High output level – 114dBμV
- 1 GHz frequency range
- Easy configuration
- Switchable return path: passive/ off/ active
- Line overvoltage protection
- Local or remote power supply
- Robust, die-cast aluminium housing

### BLOCK DIAGRAMS



## TECHNICAL PARAMETERS

PARAMETERS		WHX 829	WHX-929
<b>FORWARD PATH</b>			
Frequency range	MHz	87,110...1006	
Gain	dB	38	
Flatness	dB	±1	
Max. output level (CENELEC 42), CTB ≤ 60dBc, CSO ≤ 60dBc	dBμV	114	
Input attenuator	dB	adjustable 0...20	JXP plug-in: 0...20, step 1
Input equalizer	dB	adjustable 0...20	JXP plug-in: 0...20, step 1
Interstage equalizer	dB	JXP plug-in: 0...12, step 1	
Test point	dB	-20 ±1	
Noise figure	dB	< 7,5	
Return loss at all Inputs / Outputs: - in the frequency range of 5...40MHz - in the frequency range of 40...1000MHz	dB dB	18 ≥18 @ 40MHz – 1,5 / okt.	
<b>RETURN PATH</b>			
Frequency range	MHz	5...65, 85	
Gain	dB	-50 lub -2,5 lub 20	
Flatness	dB	±1	
Max. output level - DIN 45004B	dBμV	114	
Output attenuator	dB	adjustable 0...20	JXP plug-in: 0...20, step 1
Output equalizer	dB	adjustable 0...10	JXP plug-in: 0...10, step 1
Test point	dB	-20 ±1	
Noise figure	dB	< 7	
<b>INNE</b>			
Operating voltage	local (MSF)	V <sub>AC</sub> / Hz	180...253 / 50-60
	remote (MZ5)		24...65 / 50-60
Current consumption at 28V <sub>AC</sub> / 65V <sub>AC</sub>	A	0,165 / 0,4	
Power consumption (passive return path)	W	<13	
Connectors	/	F	
Protection class	/	IP52	
Operational temperature range	°C	-20...+55	
Weight	kg	1,0	
Dimensions	mm	107x155x75	
Package	/	box	

Technical parameters may be changed without earlier notice.

[www.telmor.pl](http://www.telmor.pl)