

Broadband building amplifier

WMX-822



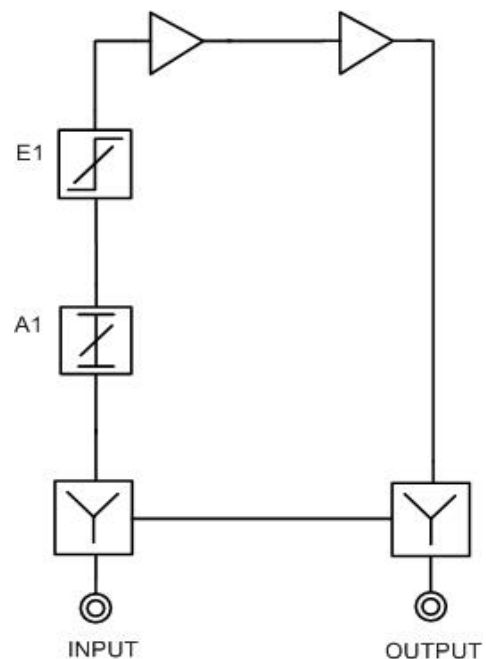
WMX-822 amplifiers were designed, considering the requirements of CATV operators looking for a good quality of transmitted signal at a reasonable cost of investment. In addition, the possibility of local or remote power supply ensures wide range of its applications.

WMX-822 wideband amplifiers series is designed for indoor installation only.

It is highly recommended solution for household installations ensuring noise-free amplification, with no affection on signal quality.

- High output level:
105dBµV (GENELEC 42), 122dBµV (DIN)
- Gain 35 dB
- Easy configuration - adjustable
- Input/ Output double overvoltage protection
- Active or passive return path
- Extremely low power consumption <5,5W
- Metal die-cast housing
- For TVK networks TVK and home installation

BLOCK DIAGRAM



TECHNICAL PARAMETERS

PARAMETERS		WMX-822M	
FORWARD PATH			
Frequency range	MHz	87...862	
Gain	dB	35 ±1	
Flatness	dB	±0,75	
Max. output level ±CENELEC 42, interstage equalization 6dB, CTB≤-60dBc, CSO≤-60dBc	dBμV	105	
Input attenuator	dB	adjustable 0...20	
Input equalizer	dB	adjustable 0...20	
Test point	dB	-	
Noise figure	dB	<7,5	
Return loss at all inputs / outputs: - in the frequency range of 5-40MHz - in the frequency range of 40-1006MHz	dB	18 ≥18@40MHz – 1,5dB/oct.	
RETURN PATH			
Frequency range	MHz	5...65	
Type of return path/ attenuation	dB	passive/ -2	
Gain	dB	-2 ±1	
Noise figure	dB	<3	
OTHERS			
Operating voltage	local	V _{AC} / Hz	187...250 / 50-60
	remote		30...60 / 50-60
Power consumption	W	< 5,5	
Connectors	/	F	
Klasa ochrony	/	IP41	
Operating temperature	°C	-20...+55	
Weight	kg	0,7	
Dimensions	mm	155x80x56	
Package	/	box	

Technical parameters may be changed without earlier notice.

www.telmor.pl