



# Alpha Continuity Battery Pack

## User Manual

Document #: 0320004-J0

*Effective 02/2011*



# Alpha Continuity Battery Pack

**NOTE:**

Photographs contained in this manual are for illustrative purposes only. These photographs may not match your installation.

**NOTE:**

Operator is cautioned to review the drawings and illustrations contained in this manual before proceeding. If there are questions regarding the safe operation of this powering system, contact Alpha Technologies or your nearest Alpha representative.

**NOTE:**

Alpha shall not be held liable for any damage or injury involving its enclosures, power supplies, generators, batteries, or other hardware if used or operated in any manner or subject to any condition inconsistent with its intended purpose, or if installed or operated in an unapproved manner, or improperly maintained.

For technical support, contact Alpha Technologies:

Canada and USA: 1-888-462-7487

International: +1-604-436-5547

Email: [support@alpha.ca](mailto:support@alpha.ca)

## Copyright

Copyright © 2011 Alpha Technologies Ltd. All rights reserved. Alpha is a registered trademark of Alpha Technologies.

No part of this documentation shall be reproduced, stored in a retrieval system, translated, transcribed, or transmitted in any form or by any means manual, electric, electronic, electromechanical, chemical, optical, or otherwise without prior explicit written permission from Alpha Technologies.

This document, the software it describes, and the information and know-how they contain constitute the proprietary, confidential and valuable trade secret information of Alpha Technologies, and may not be used for any unauthorized purpose, or disclosed to others without the prior written permission of Alpha Technologies.

The material contained in this document is for information only and is subject to change without notice. While reasonable efforts have been made in the preparation of this document to assure its accuracy, Alpha Technologies assumes no liability resulting from errors or omissions in this document, or from the use of the information contained herein. Alpha Technologies reserves the right to make changes in the product design without reservation and without notification to its users.

# Contents

1.	Important Safety Instructions .....	1
2.	Overview of the Front and Rear Panel .....	3
2.1.	Front and Rear Panel Descriptions .....	3
3.	Installation and Operation.....	4
3.1.	Unpacking .....	4
3.2.	Selecting an Installation Position.....	5
3.2.1.	Tower Installation – Standalone Unit .....	6
3.2.2.	Tower Installation – Combined with UPS .....	7
3.2.3.	Rack Mount installation .....	8
3.2.4.	Connect DC Cable.....	10
3.2.5.	Storage Instruction.....	11
3.2.6.	Replacing the Battery.....	11
3.3.	Specification .....	12
3.4.	Recycling Used Batteries .....	12

# 1. Important Safety Instructions

## Save These Instructions

This section contains important instructions that must be followed during the installation and maintenance of the equipment and batteries. Read all of the instructions before operating the equipment, and save this manual for future reference.

The following safety symbol is found throughout this manual:



Carefully read all information and abide by the instructions.

The following warning levels are used in conjunction with the symbol:

**DANGER:** You WILL be KILLED or SERIOUSLY INJURED if instructions are not followed closely.

**WARNING:** You CAN be KILLED or SERIOUSLY INJURED if instructions are not followed closely.

**CAUTION:** You CAN be INJURED or equipment can be DAMAGED if instructions are not followed closely.

## Battery Safety

Servicing and connection of batteries must be performed by, or under the direct supervision of, trained personnel knowledgeable of batteries and the required safety precautions.



**CAUTION:** Follow battery manufacturer's safety recommendations when working around battery systems.



**CAUTION:** Batteries are hazardous to the environment and should be disposed of safely at a recycling facility. Consult the battery manufacturer for recommended local authorized recyclers.



**CAUTION:** Do Not Dispose of Battery or Batteries in an open fire. The battery may explode.



**CAUTION:** Do not open or mutilate the batteries. The electrolyte from the batteries is toxic and harmful to the skin and eyes.



**CAUTION:** Risk of Electric Shock – the battery circuit is not isolated from AC, a hazardous voltage may exist between battery terminals and ground. Test before touching with bare hands.



**CAUTION:** A Battery can present a risk of electrical shock and high short circuit current. Observe the following precautions when working on batteries:

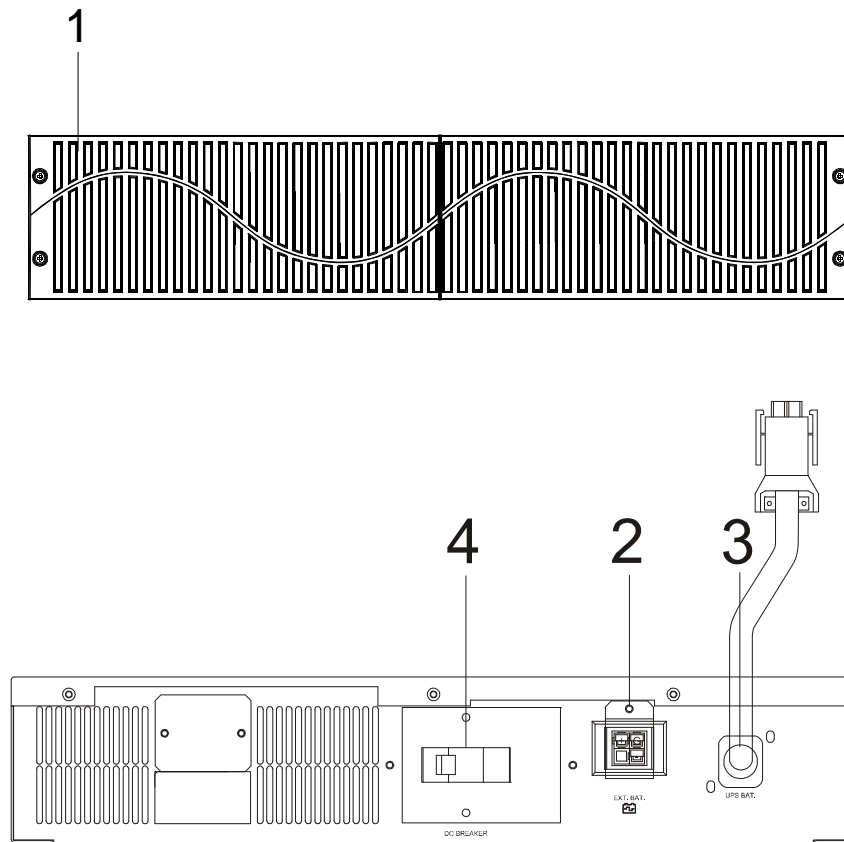
- Remove watches, rings, or other metal objects.
- Use tools with insulated handles.
- Wear rubber gloves and boots.
- Do not lay tools or metal parts on top of batteries.
- Disconnect charging source prior to connecting or disconnecting battery terminals.
- Do not plug or unplug the battery connector if UPS is in DC (discharging) mode.

- This battery pack is intended to be connected to an UPS. There will be a DC voltage at the connector terminals.
- Do not try to repair the unit yourself, contact your local supplier or your warranty will be void.
- To eliminate any overheating of the battery pack, keep all ventilation openings free from obstruction and do not place any foreign objects on top of the battery pack. Keep the battery pack 20 cm (8 in) away from the wall.
- Make sure the battery pack is installed within the proper environment as specified – ambient 0-40°C (32-104°F) and 30-90% non-condensing humidity.
- Do not install the battery pack under direct sunlight. Your warranty will be void if the batteries fail due to overheating.
- This battery pack is designed for indoor use only.
- This battery pack is not designed for use in dusty, corrosive and salty environment.
- The warranty for this battery pack will be void if water or other liquid is spilt or poured directly onto the battery pack. Similarly we do not warrant any damage to the battery pack if foreign objects are deliberately or accidentally inserted into the battery pack enclosure.
- The battery will discharge naturally if the system is unused for a period of time. The batteries should be charged by plugging in to a UPS for 12 hours every 6 months in a moderate climate (-5 to +30 °C / 23 to +86 °F), or every 3 months at higher temperatures (+30 to +45 °C / +86 to +113 °F). If this is not done, then the warranty will be null and void.
- During normal operation, the batteries will be automatically remained in charged condition.
- When replacing batteries, always replace with the same quantity, type and capacity.

## 2. Overview of the Front and Rear Panel

### 2.1. Front and Rear Panel Descriptions

1	Screw Cover	To replace batteries, remove the front covers and the screws inside the covers.
2	EXT.BAT. +/-	To the DC terminal of the second (or next) connected battery pack.
3	UPS BAT. +/-	To the UPS DC terminal or the next battery pack.
4	DC Breaker	1. Battery Over-current Protection Breaker 2. To swap a battery, put the position of the breaker in "O" position. If there is a second (or next) battery pack connected with the battery pack, the DC voltage from the UPS Bat.+/- will flow through without any interruption to the second battery pack.
5	AC Inlet for Charger	AC Inlet for Charger. Optional



### 3. Installation and Operation

Note: The packing condition and the external outlook of the unit should be inspected carefully before installation. Retain the packing material for future use.

#### 3.1. Unpacking

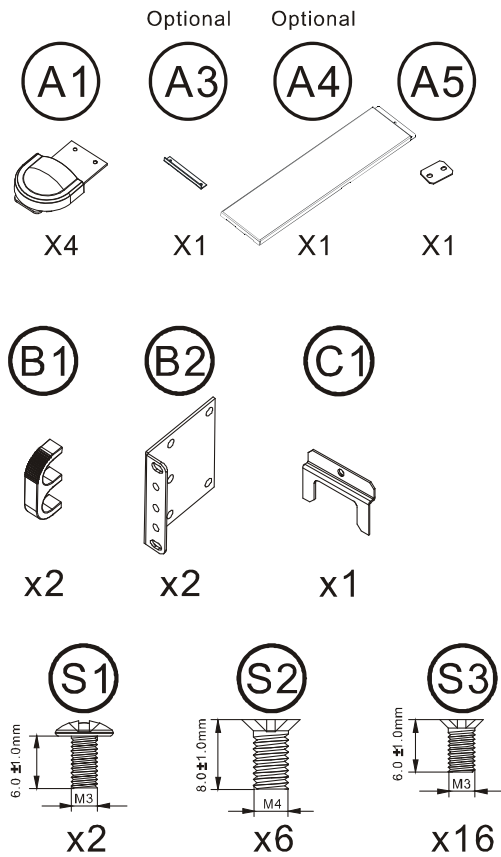
1. Take the battery pack out of the foam.
2. Remove the packing materials.



WARNING: The battery pack module is approximately 32 to 36 kgs (70 to 80 lbs); be cautious when unpacking and lifting the unit to avoid injury.

A standard package includes the following:

- User manual
- Accessories shown below for tower and rack mount



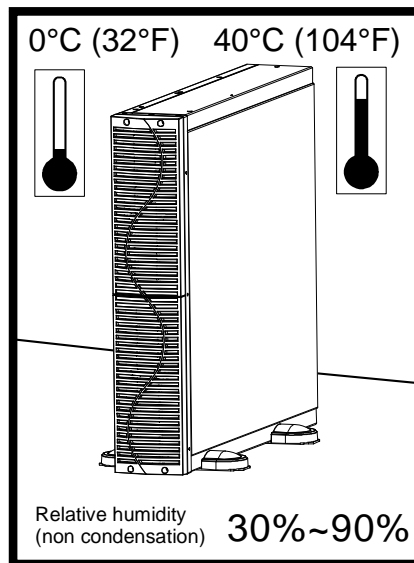
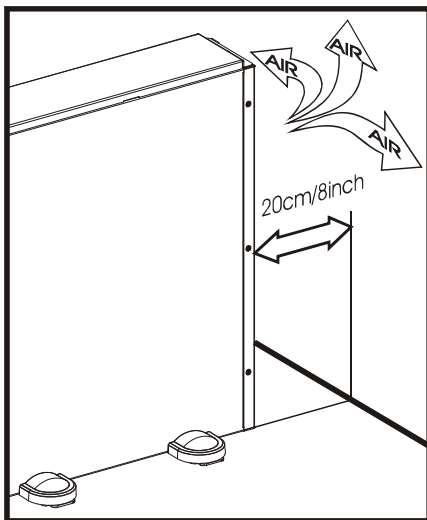


### 3.2. Selecting an Installation Position

The battery cable is provided with an 8 inch cable. Plan to install the battery pack within 3 to 4 inches from the UPS or another battery pack.

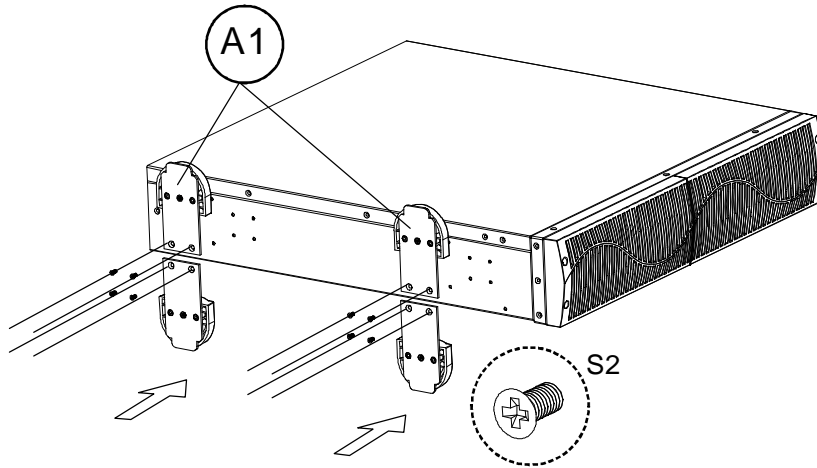
It is necessary to select a proper environment to install the unit, in order to minimize the possibility of damage to the battery pack and extend the life of the batteries. Please follow the instructions below:

1. Keep at least 20cm (8 inches) clearance from the rear panel of the battery pack from the wall or other obstructions.
2. Do not block the air-flow to the ventilation openings of the unit.
3. Please ensure the installation site environmental conditions are in accordance with the battery pack working specifications to avoid overheat and excessive moisture.
4. Do not place the battery pack in a dusty or corrosive environment or near any flammable objects.
5. This battery pack is not designed for outdoor use.

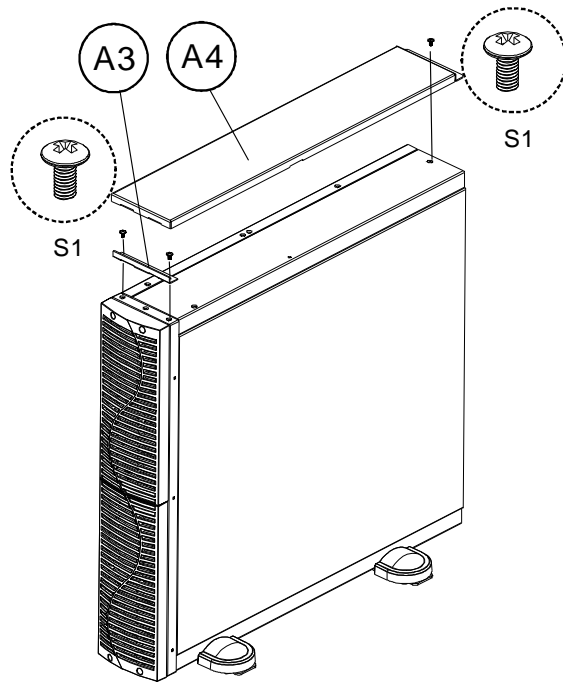


### 3.2.1. Tower Installation – Standalone Unit

STEP 1

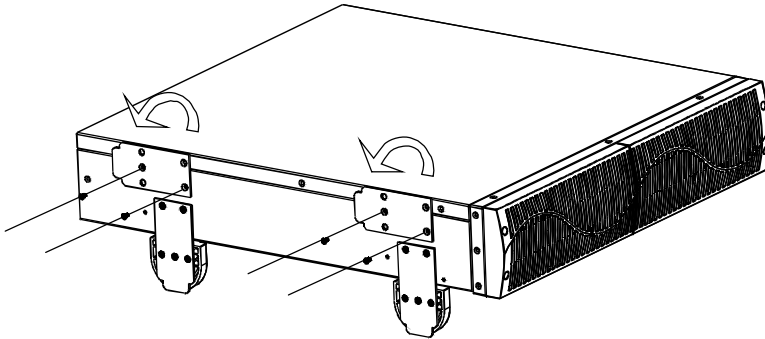


STEP 2

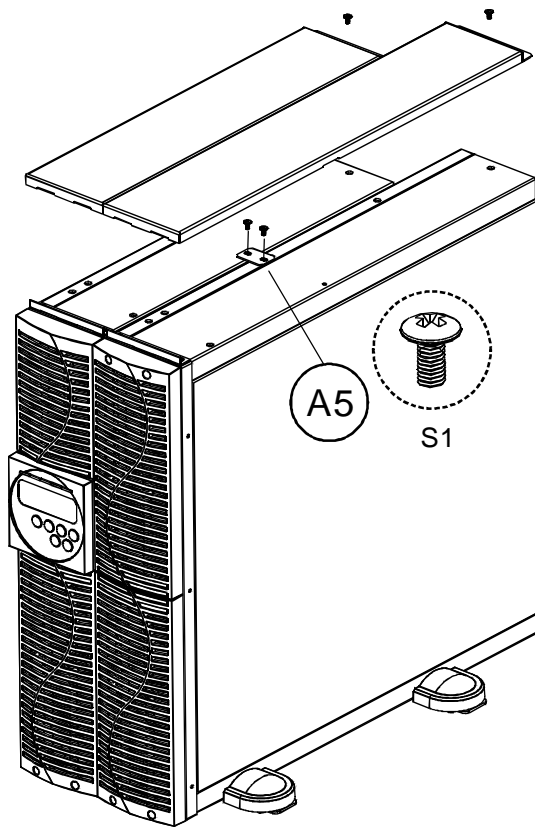


### 3.2.2. Tower Installation – Combined with UPS

STEP 1

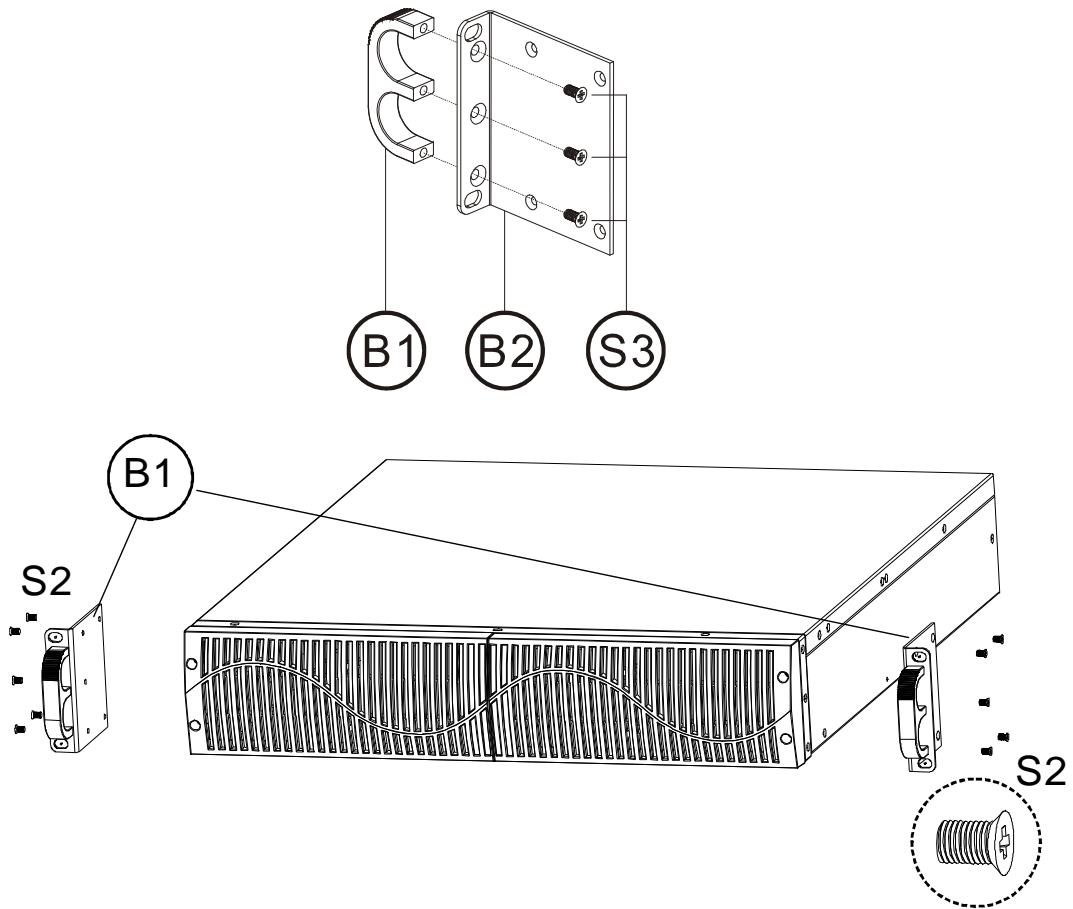


STEP 2

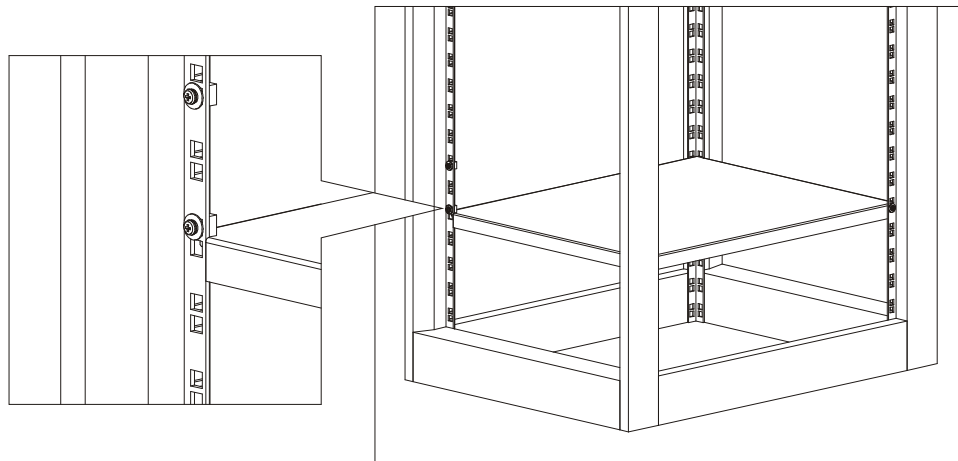


### 3.2.3. Rack Mount installation

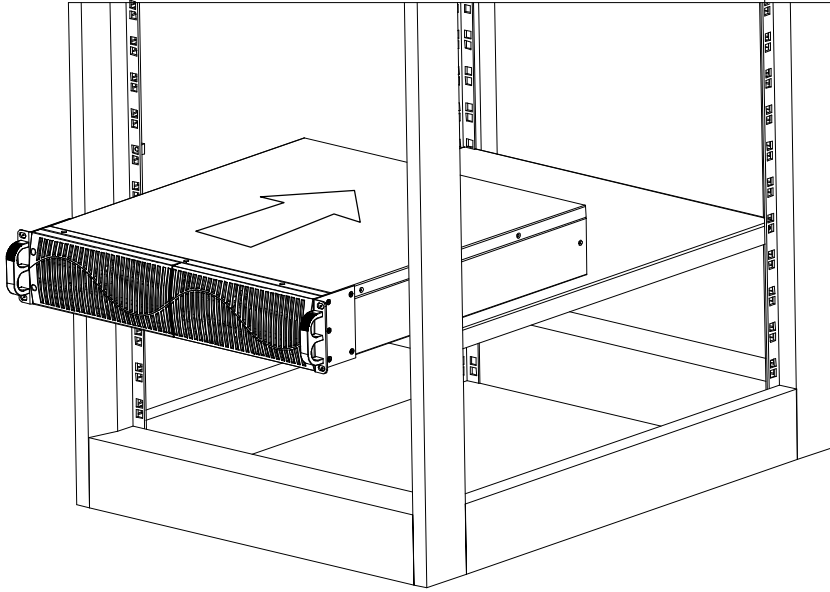
STEP 1



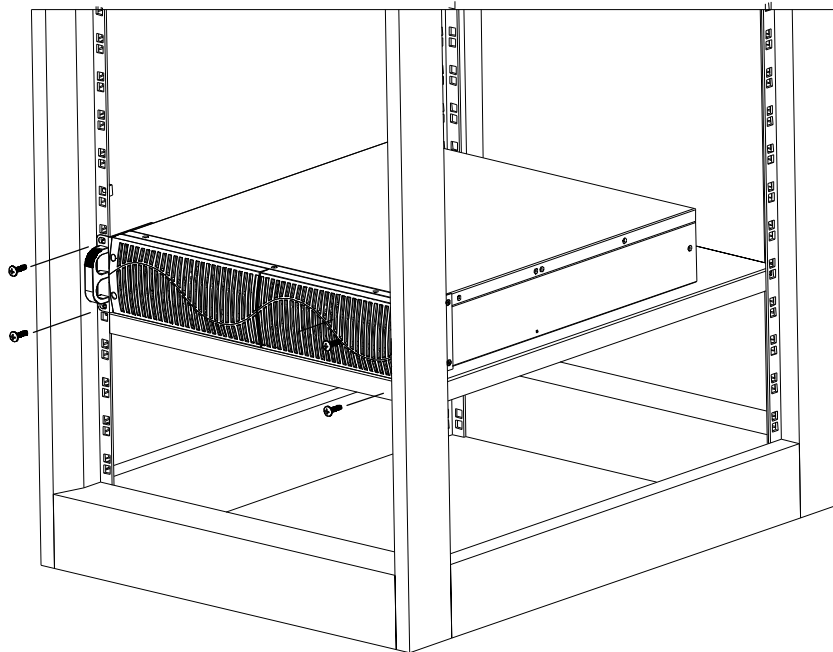
STEP 2



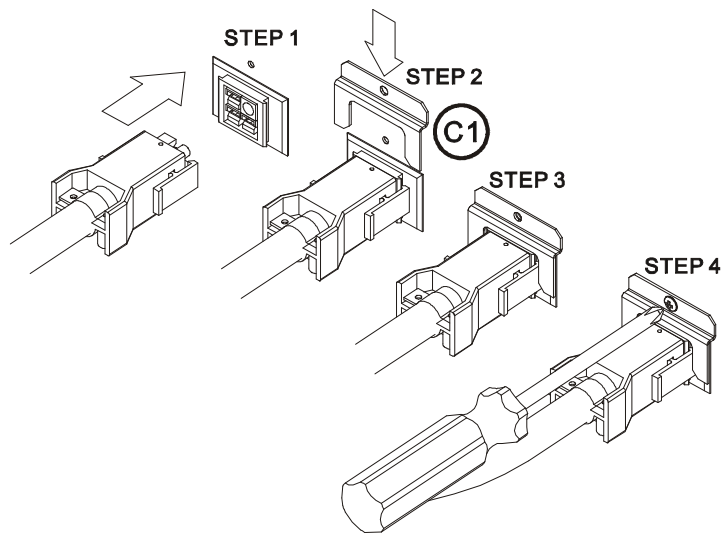
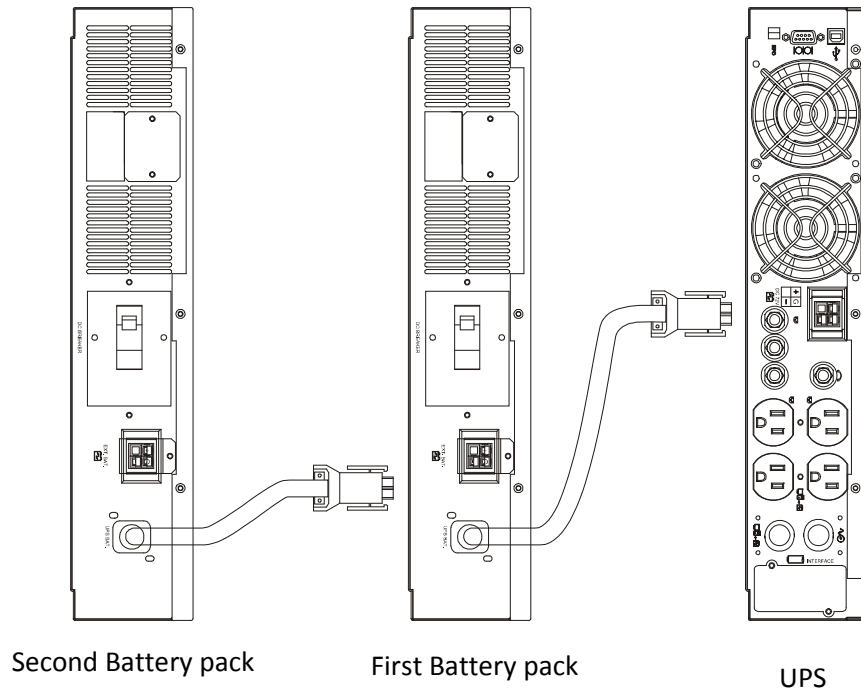
STEP 3



STEP 4



### 3.2.4. Connect DC Cable

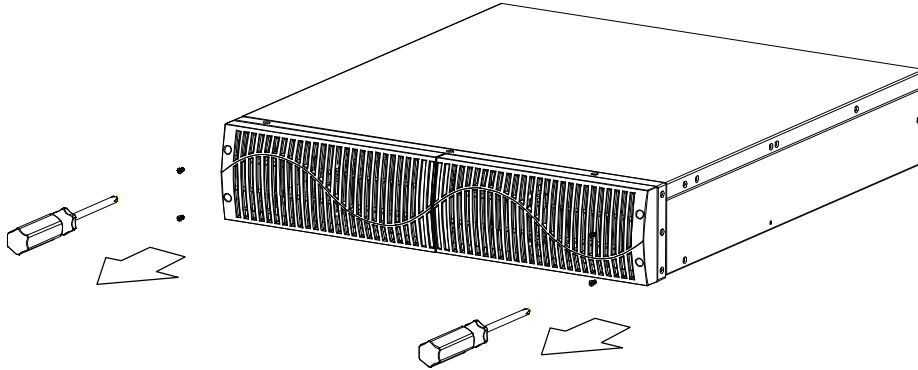


### 3.2.5. Storage Instruction

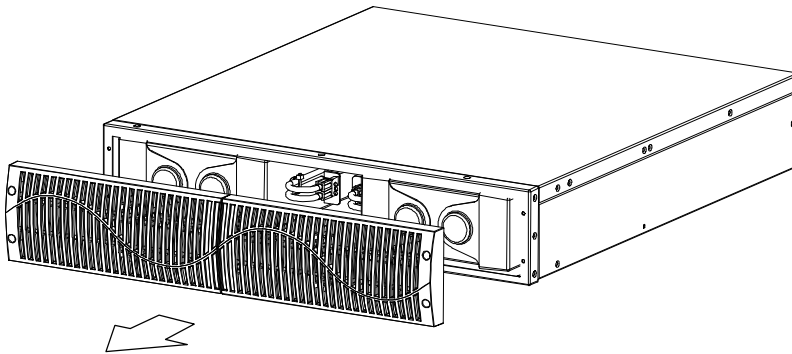
For extended storage in a moderate climate (-5 to +30 °C / 23 to +86 °F), the batteries should be charged for 12 hours every 6 months by plugging in to a UPS. Repeat this every 3 months at higher temperatures (+30 to +45 °C / +86 to +113 °F). Do not store batteries under conditions that are outside of this range.

### 3.2.6. Replacing the Battery

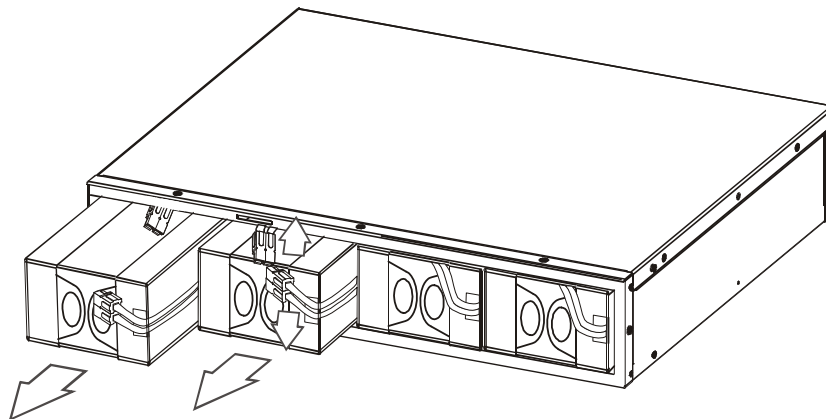
STEP 1



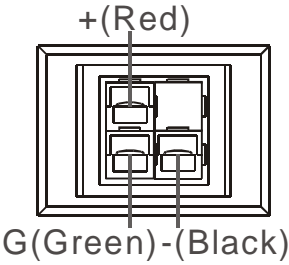
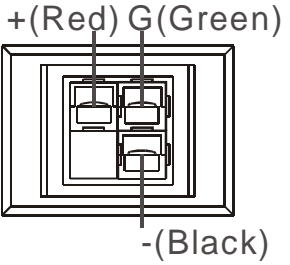
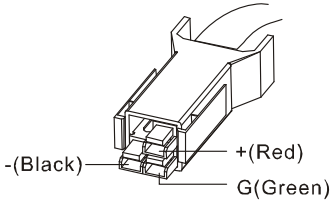
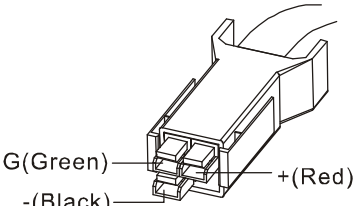
STEP 2



STEP 3



### 3.3. Specification

UPS	1000VA	2000 VA	3000 VA
Battery Pack Model	BBC-AIDCO-1000	BBC-AIDCO-2000	BBC-AIDCO-3000
Part Number	0320004-001	0320005-001	0320006-001
Nominal System Voltage	36VDC	72VDC	
DC Sockets Diagram			
DC Plug Diagram			
Dimensions W x D x H, mm			
Unit	440 x 650 x 88		
Shipping	560 x 833 x 228		
Weight, kg			
Unit	38	38	44.6
Shipping	46	46	52.6

### 3.4. Recycling Used Batteries



Contact your local recycling or hazardous waste center for information on proper disposal of used batteries.









**Alpha Technologies Ltd.**

7700 Riverfront Gate  
Burnaby, BC V5J 5M4  
Canada  
Tel: +1 604 436 5900  
Fax: +1 604 436 1233  
Toll Free: +1 800 667 8743

**Alpha Technologies Inc.**

3767 Alpha Way  
Bellingham, WA 98226  
United States  
Tel: +1 360 647 2360  
Fax: +1 360 671 4936

**Alpha Industrial Power Inc.**

1075 Satellite Blvd NW,  
Suite 400  
Suwanee, GA 30024  
United States  
Tel: +1 678 475 3995  
Fax: +1 678 584 9259

**Alpha Energy**

1628 W Williams Drive  
Phoenix, AZ 85027  
United States  
Tel: +1 602 997 1007  
Fax: +1 623 249 7833

**Alpha Technologies GmbH**

Hansastraße 8  
D-91126  
Schwabach, Germany  
Tel: +49 9122 79889 0  
Fax: +49 9122 79889 21

**Technologies Argus  
First de Mexico**

Anatole France Num. 17  
Colonia Polanco  
11560, México D.F.  
Tel: +52 55 5280 6990

**Alpha Technologies Europe Ltd.**

Twyford House Thorley  
Bishop's Stortford  
Hertfordshire, CM22 7PA  
United Kingdom  
Tel: +44 1279 501110  
Fax: +44 1279 659870

**Alphatec Ltd.**

339 St. Andrews St.  
Suite 101 Andrea Chambers  
P.O. Box 56468  
3307 Limassol, Cyprus  
Tel: +357 25 375 675  
Fax: +357 25 359 595

**Alpha TEK ooo**

Khokhlovskiy Pereulok 16  
Stroenie 1, Office 403  
Moscow, 109028  
Russia  
Tel: +7 495 916 1854  
Fax: +7 495 916 1349

**Alpha Technologies**

Unit 504, 5/F,  
Fourseas Building  
No 208-212 Nathan Road  
Kowloon, Hong Kong  
Tel: +852 2736 8663  
Fax: +852 2199 7988

**Alpha Innovations Brasil**

Rua Manuel Augusto  
de Alvarenga, 155,  
São Paulo, SP - Brasil  
Tel: +55 11 2476 0150  
Fax: +55 11 2476 0150

**Alphatec Baltic**

S. Konarskio Street 49-201  
Vilnius, LT-03123  
Lithuania  
Tel: +370 5 210 5291  
Fax: +370 5 210 5292

Visit us at [www.alpha.ca](http://www.alpha.ca)

*Power*