

passive tv / fm outlets

Product information

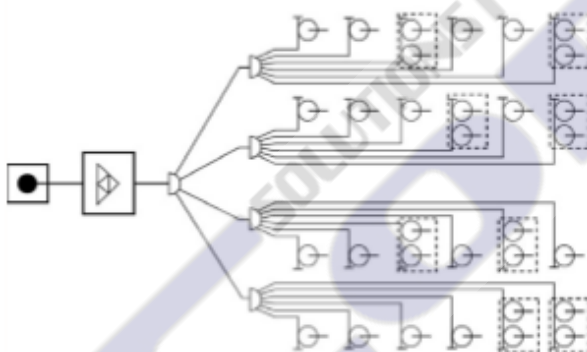
These TV/FM outlets comply with industry standards and have focus on screening efficiency and easy, flexible and stable cable installation. Full program with terminated or loop-through, each with specific attenuation, to match all type of networks.

Each outlet is available with a front plate and surface mounting frame (C), with a front plate only (FP) or without any enclosure.

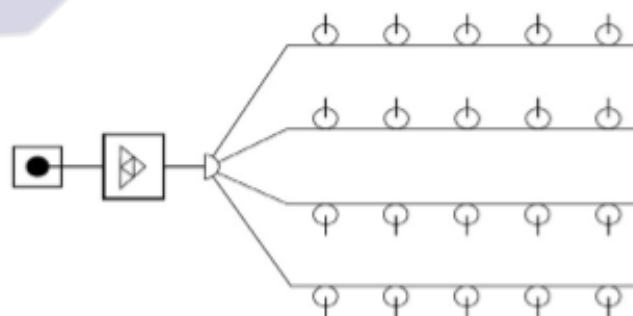


All outlets are assigned colour codes on the IEC constructions, in order to identify the type of outlet on the front (See page 23 for more information regarding these codes).

Terminated outlets in star networks



Loop-through outlets in cascading networks



All outlets are assigned colour codes on the IEC constructions, in order to identify the type of outlet on the front (See page 23 for more information regarding these codes).

Explanation to "version": Std. = Standard (no diplex), Dip = Diplex filter, TM = Terminated, LT = Loop-through

Type *	
Item no.	52500
Version	Std, TM
TV	
Frequency range	5-68 / 118-1000
Insertion loss IN-TV (dB)	1,0
Return loss** EN50083-4	Cat. C
Isolation to FM (dB)	> 15
Connector	IEC-Male
FM	
Frequency range (MHz)	87,5-108
Insertion loss IN-FM (dB)	1,3
Connector	IEC-Female

Type *	T4BX-C	T7BX-C	T10BX-C	T13BX-C
Item no.	52505	52510	52515	52520
Version	Std, TM	Std, TM	Std, TM	Std, TM
TV				
Frequency range (MHz)	5-68 / 118-1000	5-68 / 118-1000	5-68 / 118-1000	5-68 / 118-1000
Insertion loss IN-TV (dB)	4,0	7,0	10	13
Return loss** EN50083-4	Cat. C	Cat. C	Cat. C	Cat. C
Isolation to OUT (dB)	> 20	> 20	> 30	> 30
Connector	IEC-Male	IEC-Male	IEC-Male	IEC-Male
FM				
Frequency range (MHz)	87,5-108	87,5-108	87,5-108	87,5-108
Insertion loss IN-FM (dB)	4,5	7,5	10	13
Connector	IEC-Female	IEC-Female	IEC-Female	IEC-Female
IN & OUT				
Frequency range (MHz)	5-1000	5-1000	5-1000	5-1000
Insertion loss IN-OUT (dB)	3,8	2,8	1,8	0,9
Return loss** EN50083-4	Cat. C	Cat. C	Cat. B	Cat. B

Dimension (H 82 x W 82 x D 30 mm)
Back box only. Faceplate adds 8 mm to depth to overall 38 mm.

* Type suffix defines product package:

C - complete housing (front and back), example TOBX-C.
FP - front plate only, example TOBX-FP.
No suffix - no front or back, example TOBX.
Each available in minimum order quantity of 10 units.

** According to CENELEC 50083:

A: 5-40 MHz \geq 22 dB, min. 14 dB @ 40-1750 MHz \div 1,5/oct.
B: 5-40 MHz \geq 18 dB, min. 10 dB @ 40-1750 MHz \div 1,5/oct.
C: 5-40 MHz \geq 14 dB, min. 10 dB @ 40-1750 MHz \div 1,5/oct.
D: 5-1750 MHz \geq 10 dB

CoreTel s.r.o.
K Cintorínu 64
010 04 Žilina
Slovenská republika

IČO: 47 744 731
IČ DPH: SK2024077726

Fio banka a.s. č.ú.:
EUR: 2500577171/8330
CZK: 2100577172/2010
USD: 2400577174/8330

Tel. č.: +421 948 87 55 87
Tel. č.: +421 948 86 55 86
Email: coretel@coretel.eu
Web: www.coretel.eu