

powersplitter - ps5b-10 A

Product information With the DKT PS5B-10A we have expanded the line of compact power passing splitters and taps. There are now two 3-way splitters, a 4-way splitter and a 2-way tap. The tap has a fixed platform with a possible AC feed on each platform.

The compact size of the housing makes installation in even small street cabinets possible, thereby avoiding the replacement of expensive components such as the cabinets themselves.

The extended distance between inputs allows the use of heavy coaxial cables.

The electrical performance is according to CENELEC's highest standards just as with the other DKT products.

Additionally, all the PS5B-10 A platforms can be used as power inserters with the PG11M-AC.



Type	Port A	Port B	Port C	Port D	Port E	Port F	Item no
PS5B-10 A - 03 (dB)	AC	6.2 ± 0.5	IN	6.2 ± 0.5	6.2 ± 0.5	-	40610
PS5B-10 A - 03A (dB)	AC	4.0 ± 0.5	IN	7.8 ± 0.5	7.8 ± 0.5	-	40611
PS5B-10 A - 04 (dB)	7.8 ± 0.5	7.8 ± 0.5	IN	7.8 ± 0.5	7.8 ± 0.5	AC	40612
PS5B-10 A - 2-12 (dB)	AC	IN	12.0 ± 1.0	12.0 ± 1.0	2.0 ± 0.5	-	40613
Frequency range (MHz)	5-1006						
Return loss (dB)	5 - 10 MHz		≥ 16				
	10 - 1006 MHz		Grade 2 ¹				
Connectors	PG11 thread - optional 5/8"						
Power pass	Max 10 A						
Hum modulation (64 V, 6 A)	< - 70 dB						
Screening effectiveness	Class A ²						
Dimensions (mm)	209 x 96 x 56						
Weight (Kg)	0.7						

¹ Return loss: CENELEC EN60728-4 Grade 2
 10-47 MHz ≥ 18 dB, 47-1006 MHz min. 18 dB ÷ 1.5/oct.

² Screening effectiveness:
 CENELEC 50083-2 Class A
 5-300 MHz ≥ 85 dB, 300-470 MHz ≥ 80 dB
 470-950 MHz ≥ 75 dB, 950-1006 MHz ≥ 65 dB

CoreTel s.r.o.
 K Cintorínu 64
 010 04 Žilina
 Slovenská republika

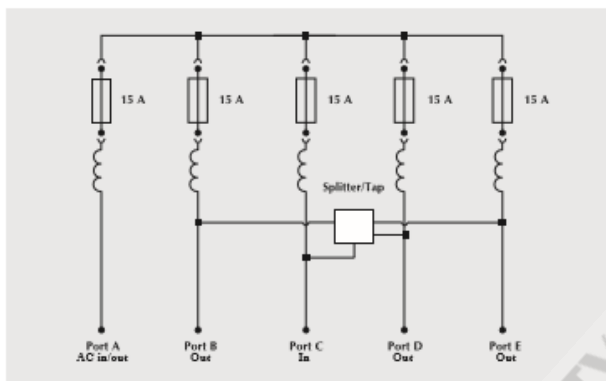
IČO: 47 744 731
 IČ DPH: SK2024077726

Fio banka a.s. č.ú.:
 EUR: 2500577171/8330
 CZK: 2100577172/2010
 USD: 2400577174/8330

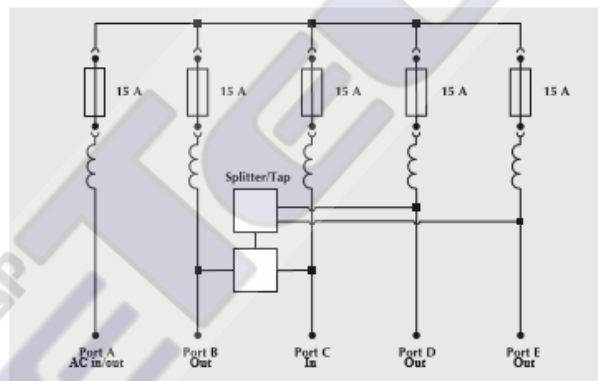
Tel. č.: +421 948 87 55 87
 Tel. č.: +421 948 86 55 86
 Email: coretel@coretel.eu
 Web: www.coretel.eu

BLOCK DIAGRAMS

PS 5 - 10 A - 03, three-way splitter



PS 5 - 10 A - 03A,
 three-way splitter asynchronous



PS 5 - 10 A - 2 - 12, two-way tap

