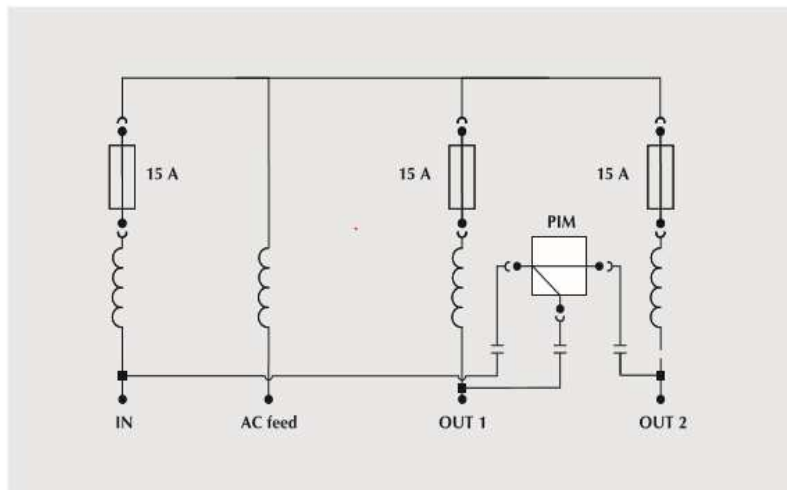


ACP3 P1 - Item no 41603

PIM type	Out 1	Out 2	Order no
PIM 0A (dB)	0.6 ± 1.0	-	40510
PIM 0B (dB)	-	0.6 ± 0.5	40511
PIM 4 (dB)	4.4 ± 1.0	4.4 ± 0.5	40520
PIM 1-7 (dB)	7.9 ± 1.0	3.0 ± 0.5	40521
PIM 1-10 (dB)	10.9 ± 1.0	2.4 ± 0.5	40522
PIM 1-13 (dB)	13.4 ± 1.0	1.7 ± 0.5	40523
PIM 1-16 (dB)	15.9 ± 1.0	1.4 ± 0.5	40524
PIM 1-19 (dB)	18.9 ± 1.0	1.3 ± 0.5	40525
Frequency range (MHz)	5-1006		
Return loss (dB)	5 - 10 MHz	≥ 16	
	10 - 1006 MHz	Grade 2 ¹	
Connector	PG11 thread - optional 5/8" or cable shells		
Power pass	Max 10 A		
Screening effectiveness	Class A ²		
Hum modulation (64 V, 6 A)	< - 70 dB		
Dimensions (mm)	154 x 107 x 55		
Weight (Kg)	0.8		

ConFree ACP3 P1, two-way splitter



CoreTel s.r.o.
K Cintorínu 64
010 04 Žilina
Slovenská republika

IČO: 47 744 731
IČ DPH: SK2024077726

Fio banka a.s. č.ú.:
EUR: 2500577171/8330
CZK: 2100577172/2010
USD: 2400577174/8330

Tel. č.: +421 948 87 55 87
Tel. č.: +421 948 86 55 86
Email: coretel@coretel.eu
Web: www.coretel.eu